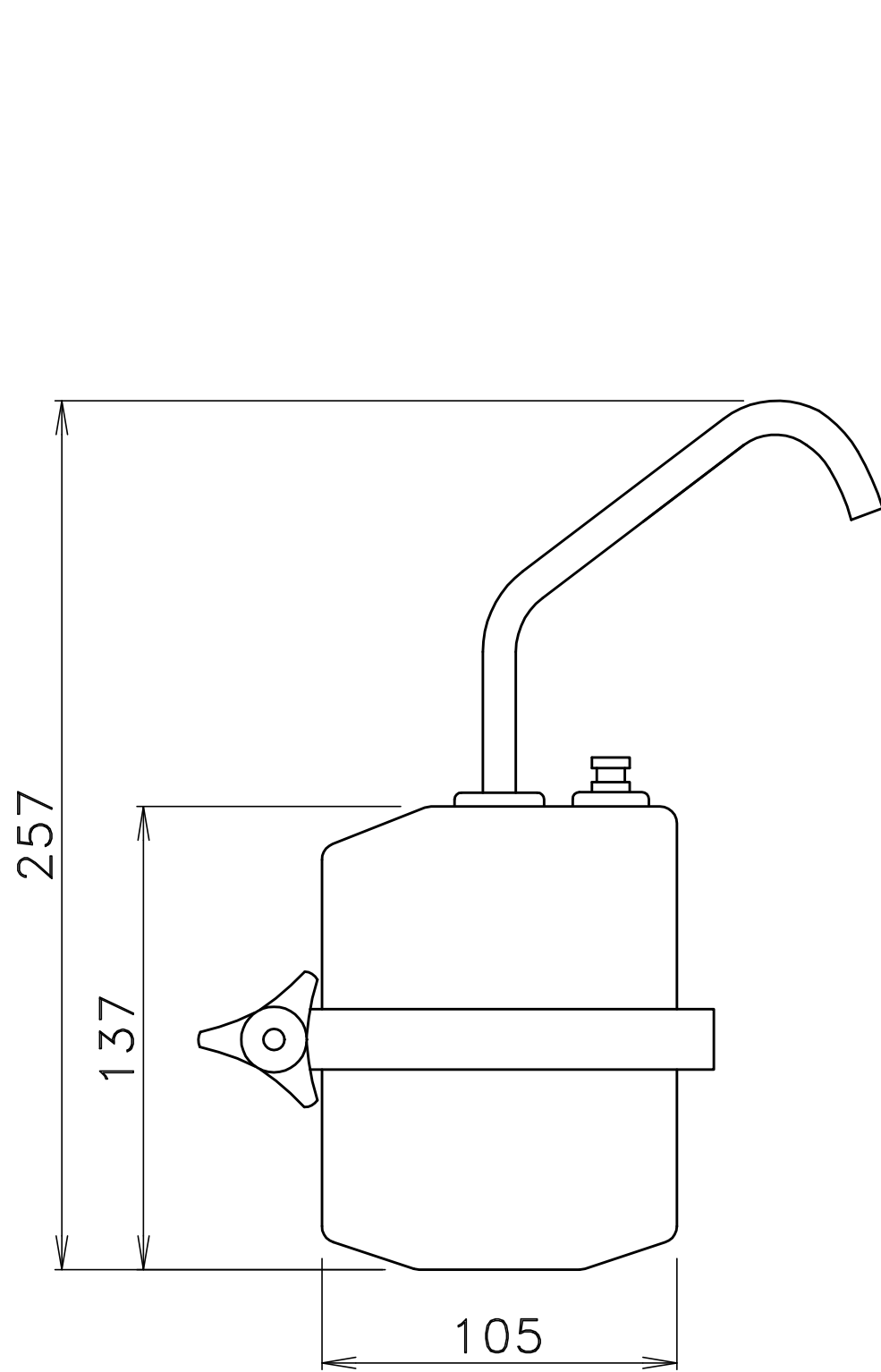
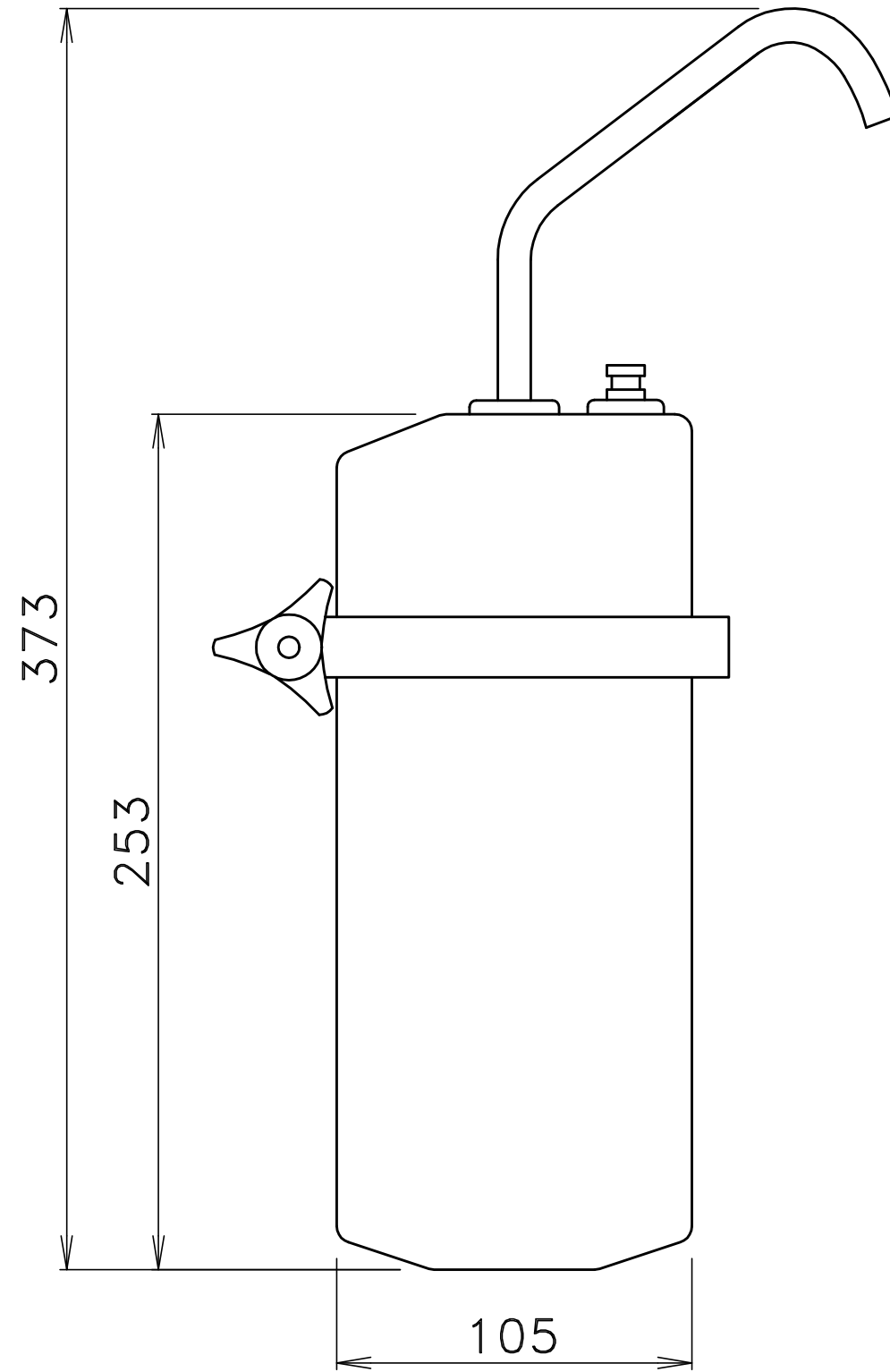


# Front View

< 単位: mm >

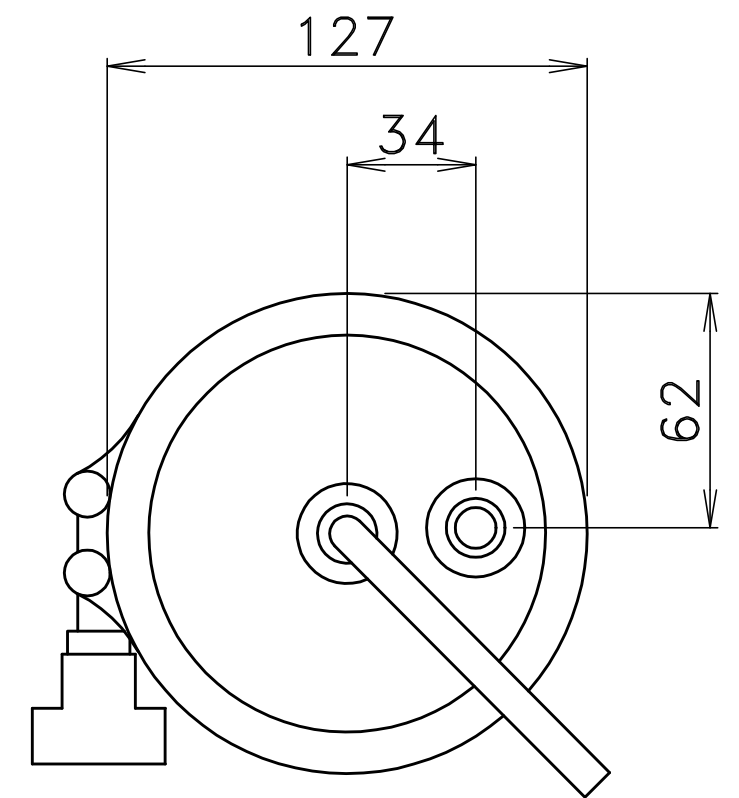


**X-1DS**



**X-2DS**

# Top View



**X-1DS / X-2DS**